



SEA-BIRD ELECTRONICS, INC.

13431 NE 20th St., Bellevue, Washington 98005 USA
Telephone: (425) 643-9866 Telex: 292915 SBEI UR
Fax: (425) 643-9954 Email: seabird@seabird.com

SBE P/N 50479

Table with 6 columns: DATE, REV, REVISION RECORD, AUTH, DR, CHK

SBE 37 V3 Through-Bolt Mounting Structure Assembly Kit

KIT CONTENTS

Table with 4 columns: SBE P/N, Manufacturer P/N, Primary SBE Application, QTY

Installing Through-Bolt Hardware onto a Microcat

A. Install Mount part one into sensor endcap

- 1. If other mounts exist, simply remove these and set them aside.
a. You may need to remove the single screw securing lower sensor endcap mount onto the endcap itself.
b. You will not be using any parts from these mounts.
2. Install mount part 1 (231736) onto sensor endcap, such that sunken holes are facing out from the microcat housing.
3. If is recommended to use NeverSeez on all hardware.
4. Secure mount part 1 to sensor endcap with 2 bolts (30790), 2 lock washers (30633), and 2 flat washers (30634)
a. Install Lock washer first onto bolt, followed by flat washer.
b. Cover remaining exposed bolt threads with NeverSeez after installing washers.
5. You will be easily able to install your mounting hardware through the remaining (outer) pair of holes on the mount.

B. Install Mount part two into connector endcap

- 1. If current mounting assembly exists, remove this and set it aside. You will not need any parts from this mounting fixture.
2. Endcap may be installed in the reverse direction from where you want it. In this case, first install the mount part 2, then use that mount to carefully turn the endcap 180 degrees.
3. Install mount part 2 (234186) onto connector endcap, such that screw holes all line up, and counterbores face away from the microcat endcap.
4. Secure to endcap with three screws (31066).
5. It is recommended to use NeverSeez on all hardware.
6. You will be easily able to install your mounting hardware through the remaining (outer) pair of holes on the mount.

SBE DRAWING: 67218

TITLE: SBE37 V3 Through-Bolt Mounting Assembly

REV:

Sea-Bird Electronics Procedure

PROCEDURE NUMBER: 67218

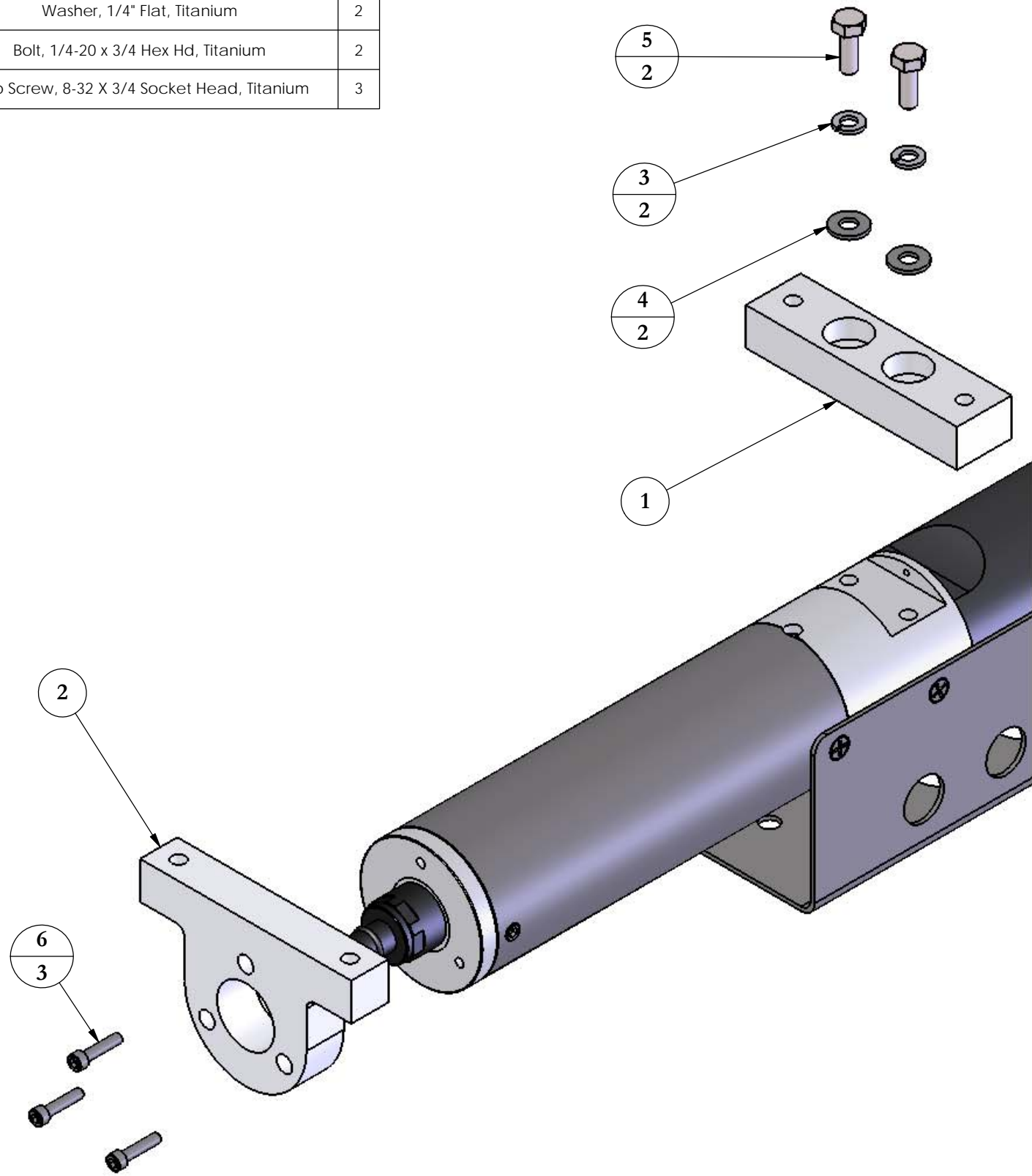
TITLE: SBE37 V3 Through-Bolt Mounting Hardware Kit
REVISION:

EFFECTIVE DATE: 10/31/2011

CHECKED BY: PC PAGE 1 of 1

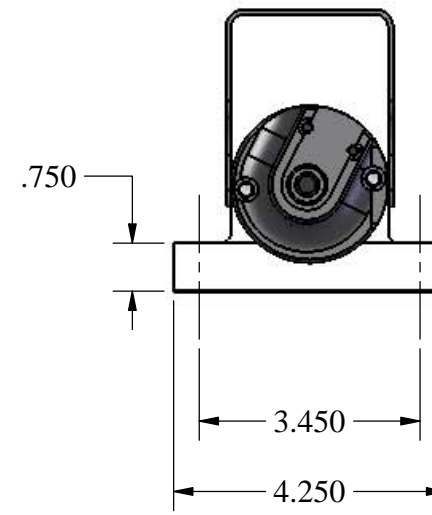
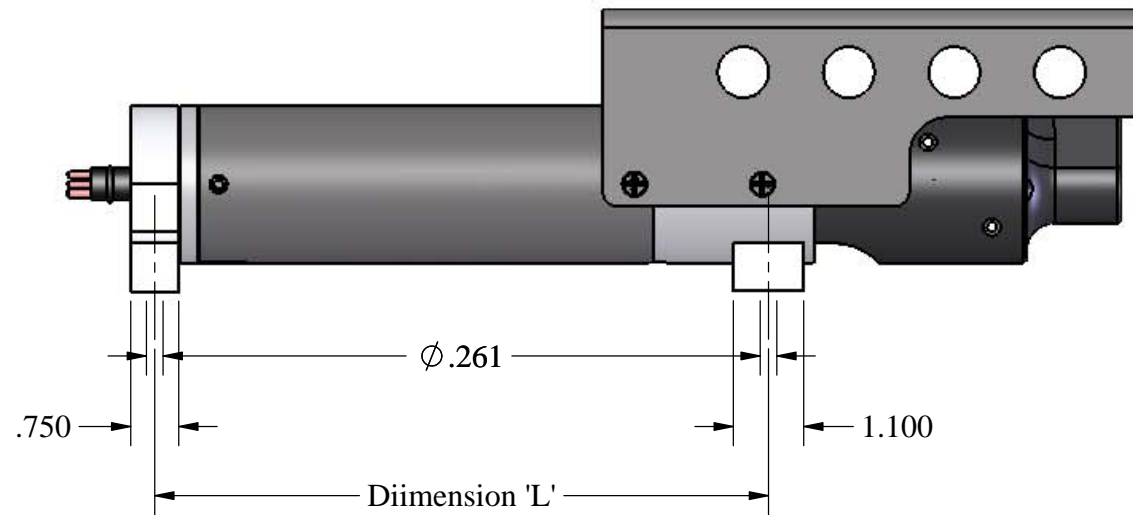
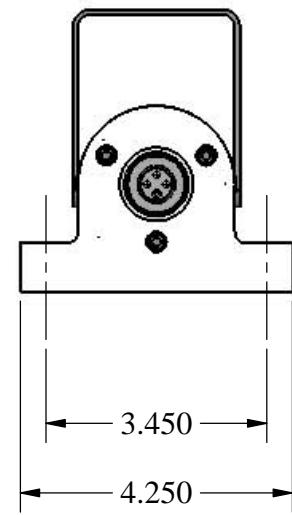
ITEM NO.	PART NUMBER	DRAWING NUMBER	DESCRIPTION	QTY.
1	231736	21850	SBE37 Microcat Thru-bolt Mount Pt1	1
2	234186	234186	SBE37P Microcat Mount Pt 2	1
3	30633	N/A	Washer, 1/4" Split Ring Lock, Titanium	2
4	30634	N/A	Washer, 1/4" Flat, Titanium	2
5	30790	N/A	Bolt, 1/4-20 x 3/4 Hex Hd, Titanium	2
6	31066	N/A	Cap Screw, 8-32 X 3/4 Socket Head, Titanium	3

REV.	DATE	ZONE	DESCRIPTION	AUTH	DWG	CHK



UNLESS OTHERWISE SPECIFIED:		NAME	DATE	SEA-BIRD ELECTRONICS, INC.	
DIMENSIONS ARE IN INCHES		DRAWN	PC	02/16/11	13431 NE 20th Street, Bellevue, WA 98005
TOLERANCES:		PROPRIETARY AND CONFIDENTIAL		425-643-9866	
FRACTIONAL ±1/x		THE INFORMATION CONTAINED IN THIS DRAWING IS THE SOLE PROPERTY OF SEA-BIRD ELECTRONICS, INC. ANY REPRODUCTION IN PART OR AS A WHOLE WITHOUT THE WRITTEN PERMISSION OF SEA-BIRD ELECTRONICS, INC. IS PROHIBITED.		TITLE:	
ANGULAR: ± 0.5° BEND ±		COMMENTS:		SBE37 Microcat V3 Thru-Bolt Microcat Structure	
.X ± .05 TYP RAD .01		DEBUR AND BREAK SHARP EDGES		PART NO. 50479	
.XX ± .01		Old Part/Draw Info		SIZE DWG. NO.	
.XXX ± .003		N/A / N/A		B 67218	
MACHINED SURFACES		DO NOT SCALE DRAWING		SCALE: 1:2	
INTERPRET GEOMETRIC TOLERANCING PER: ANSI Y14.5M - 1994		N/A / N/A		SHEET 1 OF 2	
MATERIAL		N/A / N/A			
FINISH N/A					

REV.	DATE	ZONE	DESCRIPTION	AUTH	DWG	CHK
-	-	-	See Sheet1	-	-	-



Dimension 'L'		
Model	Millimeters	Inches
SI/SIP	292.100	11.500
SM/SMP	419.100	16.500

UNLESS OTHERWISE SPECIFIED:		NAME	DATE	SEA-BIRD ELECTRONICS, INC. 13431 NE 20th Street, Bellevue, WA 98005 425-643-9866
DIMENSIONS ARE IN INCHES TOLERANCES: FRACTIONAL ±1/x ANGULAR: ± 0.5° BEND ± .X ± .05 TYP RAD .01 .XX ± .01 .XXX ± .003 MACHINED SURFACES		DRAWN	PC 02/16/11	
INTERPRET GEOMETRIC TOLERANCING PER: ANSI Y14.5M - 1994		PROPRIETARY AND CONFIDENTIAL THE INFORMATION CONTAINED IN THIS DRAWING IS THE SOLE PROPERTY OF SEA-BIRD ELECTRONICS, INC. ANY REPRODUCTION IN PART OR AS A WHOLE WITHOUT THE WRITTEN PERMISSION OF SEA-BIRD ELECTRONICS, INC. IS PROHIBITED.		TITLE: SBE37 Microcat V3 Thru-Bolt Microcat Structure
MATERIAL N/A		COMMENTS: DEBUR AND BREAK SHARP EDGES		PART NO. 50479
FINISH N/A		Old Part/Draw Info N/A / N/A		SIZE B DWG. NO. 67218
DO NOT SCALE DRAWING				SCALE: 1:3 SHEET 2 OF 2