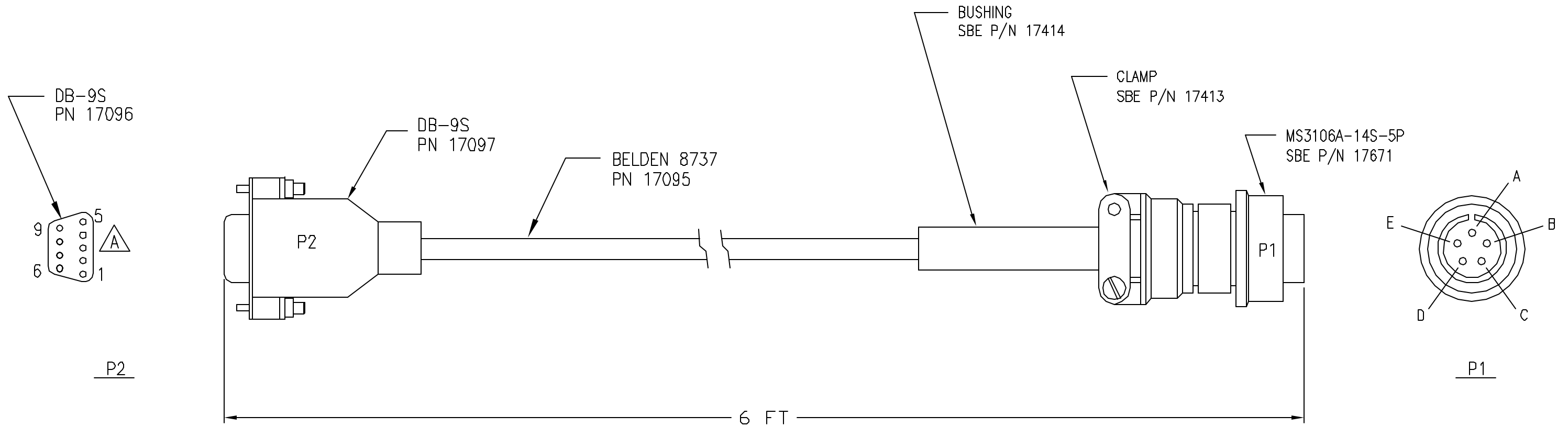


| DATE | SYM | REVISION RECORD | AUTH. | DR. | CK. |
|---------|-----|--------------------|-------|-----|-----|
| 5.16.03 | A | FIXED PIN CALLOUTS | CB | KLP | |
| | | | | | |



| P1 MS3106A-14S-5P | P2 DB-9S | COLOR |
|-------------------|----------|--------|
| PIN A | PIN 5 | SHIELD |
| PIN B | PIN 3 | RED |
| PIN C | PIN 2 | BLK |

| | | | | | |
|------------|---------------------------|---------------------------|---------|-------|--------------|
| TOLERANCES | SEA-BIRD ELECTRONICS, INC | | | | |
| FRACTIONAL | P/N | 801429 | SCALE | NTS | DRAWN BY KLP |
| DECIMAL | TITLE | SBE 11plus CDO TEST CABLE | | | APPROVED BY |
| ANGULAR | DATE | 4.29.03 | DWG NO. | 32799 | REV A |