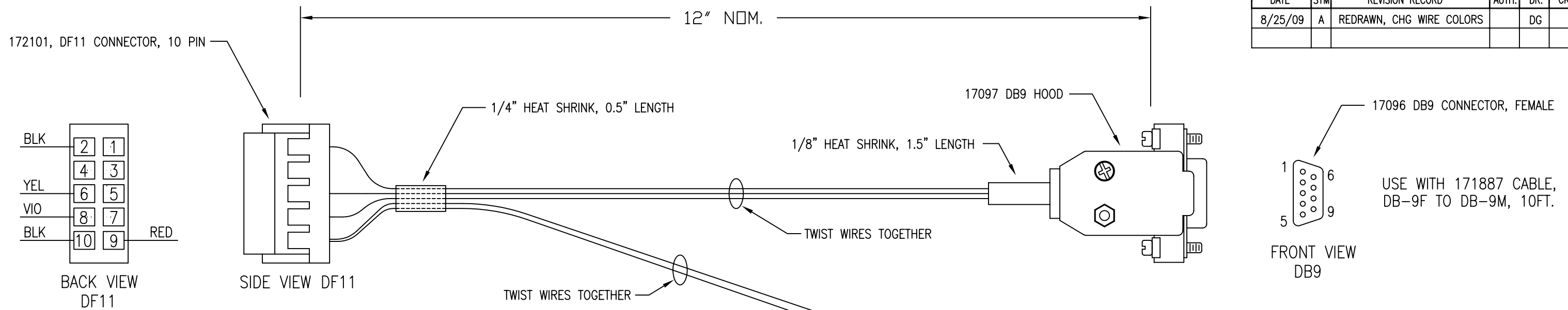


DATE	SYM	REVISION RECORD	AUTH.	DR.	CK.
8/25/09	A	REDRAWN, CHG WIRE COLORS		DG	



1. PUSH WIRES INTO DF11 CONNECTOR.
2. TWIST BLACK/YELLOW/VIOLET WIRES TOGETHER (DF11 PINS 2,6,8).
3. TWIST RED/BLACK WIRES TOGETHER (DF11 PINS 9,10).
4. PLACE A 0.5" LENGTH OF 1/4" HEATSHRINK OVER ALL FIVE WIRES AND SHRINK IT NEAR THE DF11 CONNECTOR.
5. PLACE A SINGLE 1.5" LENGTH OF 1/8" HEATSHRINK OVER BLACK/YELLOW/VIOLET WIRES AND PLACE A 0.3" LENGTH OF 3/32" HEATSHRINK OVER EACH INDIVIDUAL WIRE (3 EACH).
6. SOLDER BLACK/YELLOW/VIOLET WIRES INTO DB9 SOLDER CUPS.
7. PUSH (3 EACH) 3/32" HEATSHRINK DOWN OVER DB9 PINS AND SHRINK THEM.
8. PUSH 1/8" HEATSHRINK DOWN TO DB9 END AND SHRINK IT.
9. ASSEMBLE DB9 HOOD.
10. TWIST BATTERY CONNECTOR RED/BLACK WIRES TOGETHER.
11. PLACE 0.5" LENGTHS OF 3/32" HEATSHRINK OVER BATTERY CONNECTOR RED AND BLACK WIRES.
12. SOLDER RED/BLACK WIRES TO BATTERY CONNECTOR RED/BLACK WIRES.
13. LOCATE SHRINK TUBING OVER RED/BLACK SOLDER SPLICES AND SHRINK DOWN.

DF11 CONNECTOR	WIRE SBEPN (COLOR)	DB9 CONNECTOR	9V BATT CONN	FUNCTION
PIN 1				
PIN 2	172099 (BLACK)	PIN 5		COMMON
PIN 3				
PIN 4				
PIN 5				
PIN 6	172462 (YELLOW)	PIN 3		RX FROM PC
PIN 7				
PIN 8	172463 (VIOLET)	PIN 2		TX TO PC
PIN 9	172100 (RED)		RED	BATT+
PIN 10	172099 (BLACK)		BLACK	BATT-

TOLERANCES	<b>SEA-BIRD ELECTRONICS, INC</b>			
FRACTIONAL	P/N 801583	SCALE -	DRAWN BY DLM/DG	
DECIMAL	TITLE IMM PC SERIAL CABLE WITH BATTERY			
ANGULAR	DATE 7/14/05	DWG NO. 33049	REV A	