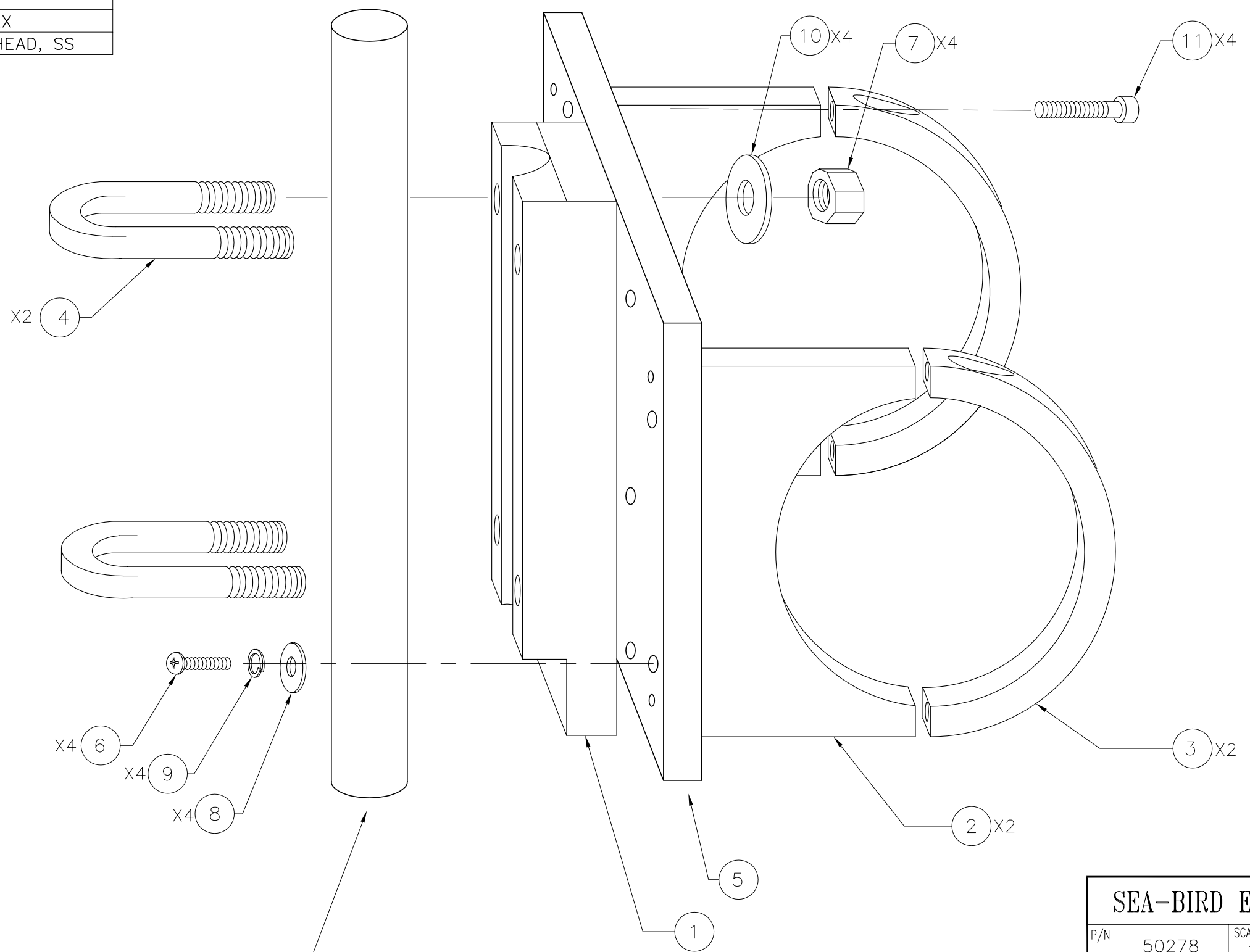


ITEM	QTY	PART#	DESCRIPTION
1	1	231141	SBE32 24PL ST FLUOR MNT BLK
2	2	231960	SBE25 CHELSEA MOUNT BLOCK #1
3	2	231961	SBE25 CHELSEA MOUNT BLOCK #2
4	2	23714	SBE32 24PL CAGE U-BOLT
5	1	23907	MODIFY SEATECH FLUOR MNT PLATE
6	4	30179	MACH SCREW, 10-24 X 1, PH, SS
7	4	30210	NUT, 3/8-16 NYLON STOP, SS
8	4	30249	WASHER, #10 FLAT, SS
9	4	30250	WASHER, #10 SPLIT RING LOCK, SS
10	4	30257	WASHER, 3/8 FLAT, SS, 7/8" OD MAX
11	4	30886	CAP SCREW, 1/4-20 X 1", SOCKET HEAD, SS



SBE 32 EXTENSION
STAND VERTICAL SUPPORT

SEA-BIRD ELECTRONICS, INC			
P/N	50278	SCALE	DRAWN BY
		1:1	KLP
SBE32 24PL CHELSEA		APPROVED BY	
MOUNT KIT			
DATE	DWG NO.	SHEET	REV
5/10/02	41190	1 of 1	