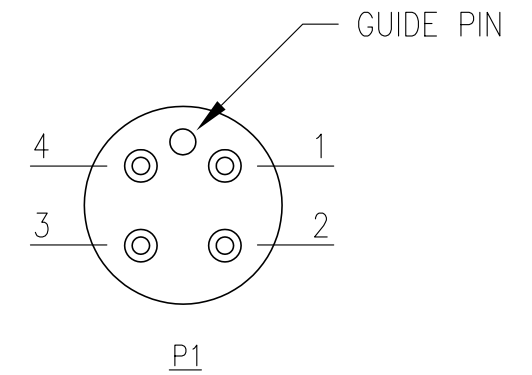
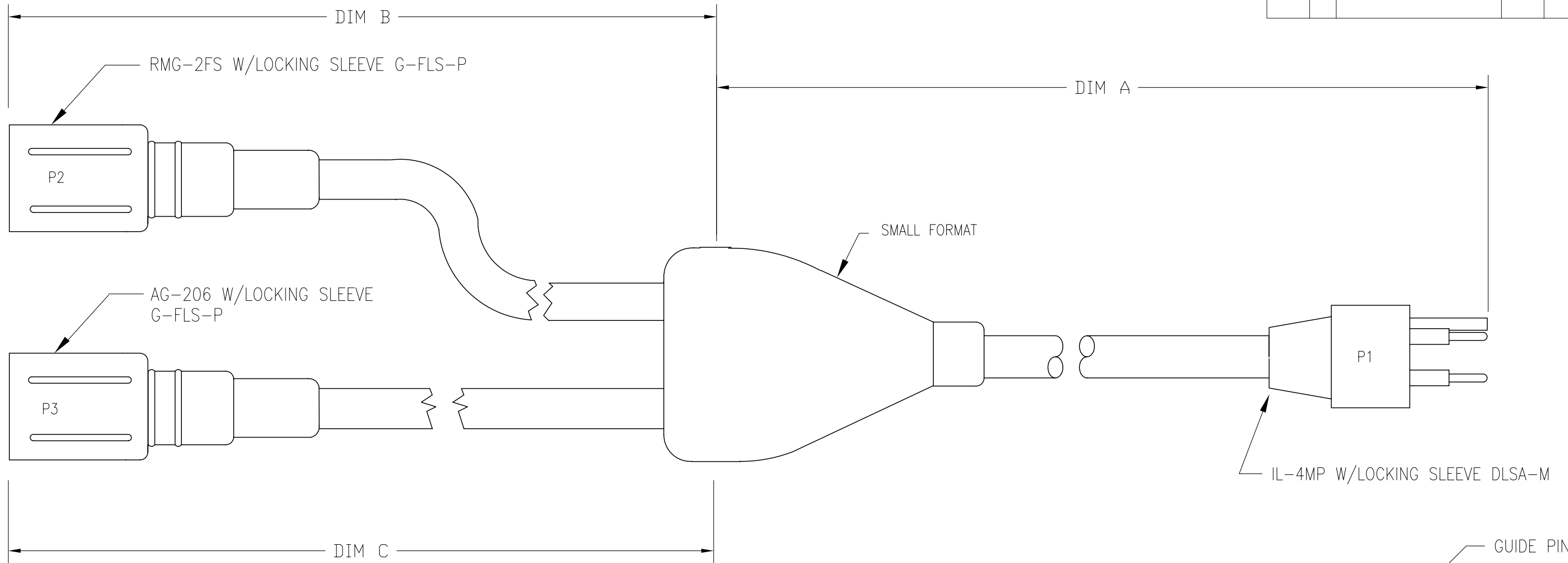


DATE	REV	REVISION RECORD	AUTH.	DR.	CK.



P1 IL-4MP	P2 RMG-2FS	P3 AG-206
PIN 2	--	PIN 1
PIN 1	--	PIN 2
PIN 4	--	PIN 3
--	PIN 1	PIN 4
--	PIN 2	PIN 5
PIN 3	--	PIN 6

SBE PN	DIM A	DIM B	DIM C
171880	18 IN	18 IN	18 IN

TOLERANCES	SEA-BIRD ELECTRONICS, INC			
FRACTIONAL	P/N SEE TABLE	SCALE NTS	DRAWN BY KLP	
DECIMAL	TITLE Y-CABLE, DATA/PUMP I/O			
ANGULAR	DATE 1.13.04	DRAWING NUMBER	32894	REV _