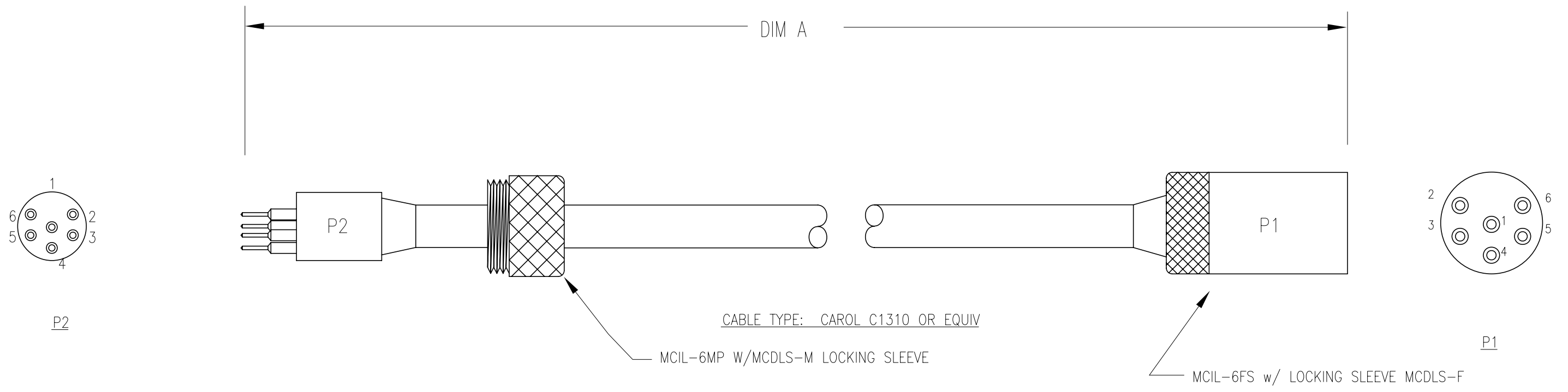


DATE	SYM	REVISION RECORD	AUTH.	DR.	CK.
9.21.04	A	fixed pin-out	CB	KLP	
10.31.06	B	ECN 01018, ADDED TRB range	CB	KH	
7/27/09	C	ECN 1247: CHANGED CABLE TYPE	CB	PC	CB



SBE PN	DIM A
171919	8 IN

P1 MCIL-6FS	P2 MCIL-6MP	SIGNAL
PIN 1	PIN 1	POWER
PIN 2	PIN 2	POWER GROUND
PIN 3	PIN 3	ANALOG SIGNAL
PIN 4	PIN 4	ANALOG GROUND
PIN 5	---	---
PIN 6	PIN 4	100X GAIN CONTROL

GAIN	CHL RANGE	RWT RANGE	TRB RANGE
100X	0-5 µg/L	0-10 ppb	0-100 NTU

SEA-BIRD ELECTRONICS, INC

P/N	SCALE	DRAWN BY	
SEE TABLE	NTS	KLP	
		APPROVED BY	
CABLE: MCIL-6MP TO MCIL-6FS CYCLOPS-7 (X100) JUMPER			
DATE	DWG NO.	SHEET	REV
10.31.06	32921	1 of 1	C