

SBE 61 Deep Argo CTD

The SBE 61 Deep Argo CTD is a redesign of the SBE 41/41CP designed for deployments to 7000 m, with improved overall measurement quality and stability to meet the needs of deep ocean research. Each SBE 61 is chosen from an extended calibration history, ensuring stable electronics and minimal drift in the field. The hardware interface and many commands have been carried over to make integration into existing SBE 41/41CP-based products easier.

Features

- Proven MicroCAT Temperature, Conductivity, and Pressure sensors with improved electronics provide stability for multi-year deployments
- Isolated conductivity cell for improved stability
- Long-term factory calibrations ensure higher accuracy with minimal drift
- Pump-controlled TC-Ducted flow over the temperature and conductivity sensor minimizes salinity spiking
- U-shaped flow path prevents ingestion of surface contaminants
- Carefully engineered anti-foul protection extends deployment duration
- RS-232 and Hardware Sampling Interface available

Components

- Internal-field conductivity cell permits use of TC Duct and minimizes noise
- Aged and pressure-protected thermistor has a long history of exceptional accuracy and stability.
- 7000 m Kistler Pressure sensor with 4-point temperature compensation
- Continuous pump
- Titanium housing

Options

- RS-232 only interface (4-pin MCBH Connector)
- RS-232 and Hardware Sampling Interface (6-pin MCBH Connector)
- Optional SBE 63 Dissolved Oxygen Sensor



Measurement Range

Conductivity	0 to 9 S/m
Temperature	-5 to 35 °C
Pressure	0 to 7000 meters

Initial Accuracy

Conductivity	± 0.0002 S/m
Temperature	± 0.001 °C
Pressure	± 4.5 dbar / 7000 meters

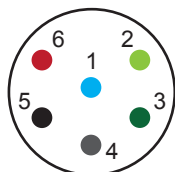
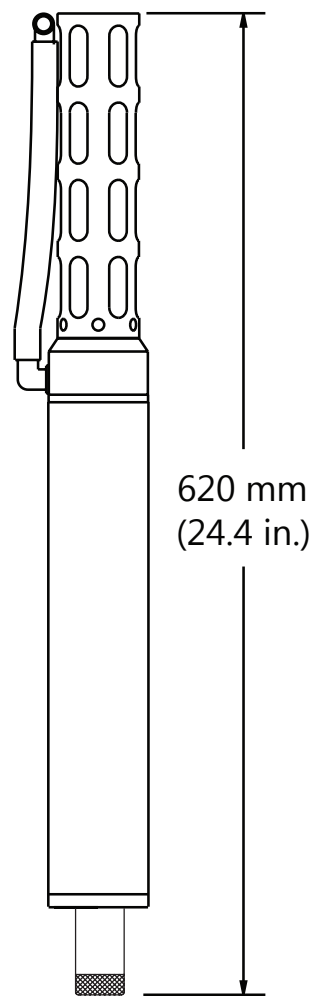
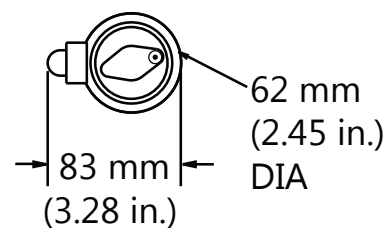
Typical Stability

Conductivity	0.002 S/m over 10 years
Temperature	0.0002 °C per year
Pressure	0.8 dbar / year

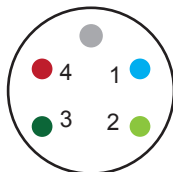
Resolution

Conductivity	0.00005 S/m
Temperature	0.0001 °C
Pressure	0.002% of Full scale range

Power Consumption (12 V)	Idle: 8-10 mA Sleep: 10 µA Profiling: 20 mA
External Power	8 - 14 VDC
Housing, Depth Rating, & Weight	Titanium, 7000 m, 2.8 kg in air



MCBH-6MP



MCBH-4MP

RS-232 and Hardware Interface

Pin	Signal
1	Common
2	RS-232 data receive
3	RS-232 data transmit
4	PTS
5	PCNTL
6	Auxiliary power in (8-14 VDC)

RS-232 Only

Pin	Signal
1	Common
2	RS-232 data receive
3	RS-232 data transmit
4	Auxiliary power in (8-14 VDC)