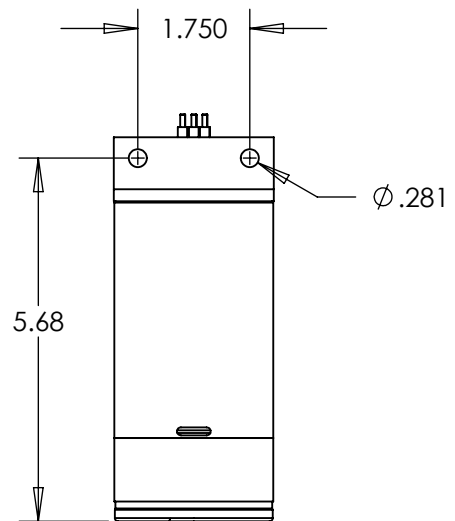
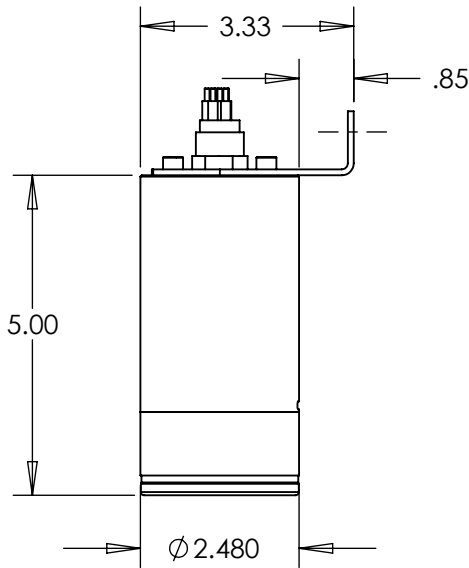
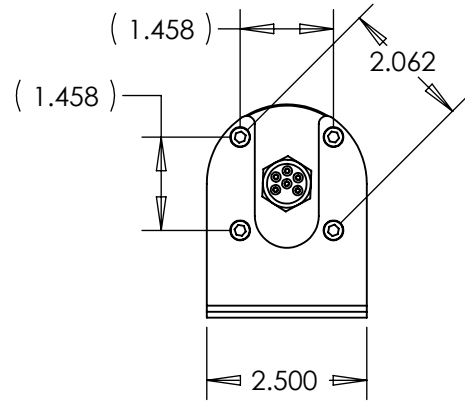
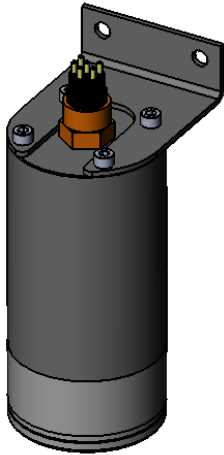


WEIGHTS IN AIR AND IN WATER (TYPICAL)

	IN AIR		IN WATER	
	lb	g	lb	g
WITH MOUNTING BRACKET	1.09	493	0.13	60
WITHOUT MOUNTING BRACKET	0.95	433	0.05	21

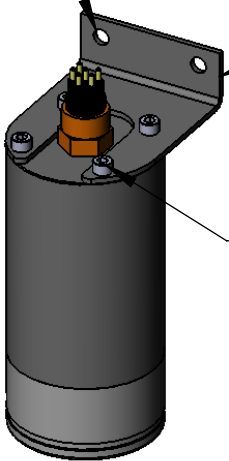


holes for mounting with 1/4" or M6 hardware

303/304 stainless steel 12 gauge (.1" thick)

(4) 10-24 x 1/2 socket head cap screws (holes tapped .40 deep)

Optical surface: Orient downward for best results



**WET Labs**

620 Applegate St.  
Philomath, OR 97370  
541-929-5650  
www.wetlabs.com

Mounting dimensions and weights for unshutterd ECO with mounting bracket

2	1/12/10	MODIFY TO SHOW GENERIC ECO	ARD	SIZE A	DWG. NO. 220117	REV. 2
REV	DATE	DESCRIPTION	BY	SCALE 1:3	DIMENSIONS ARE INCHES UNLESS NOTED	SHEET 1 OF 1
REVISIONS			DRAWN BY: A.R. DERR		ORIGIN DATE: 7/16/2002	