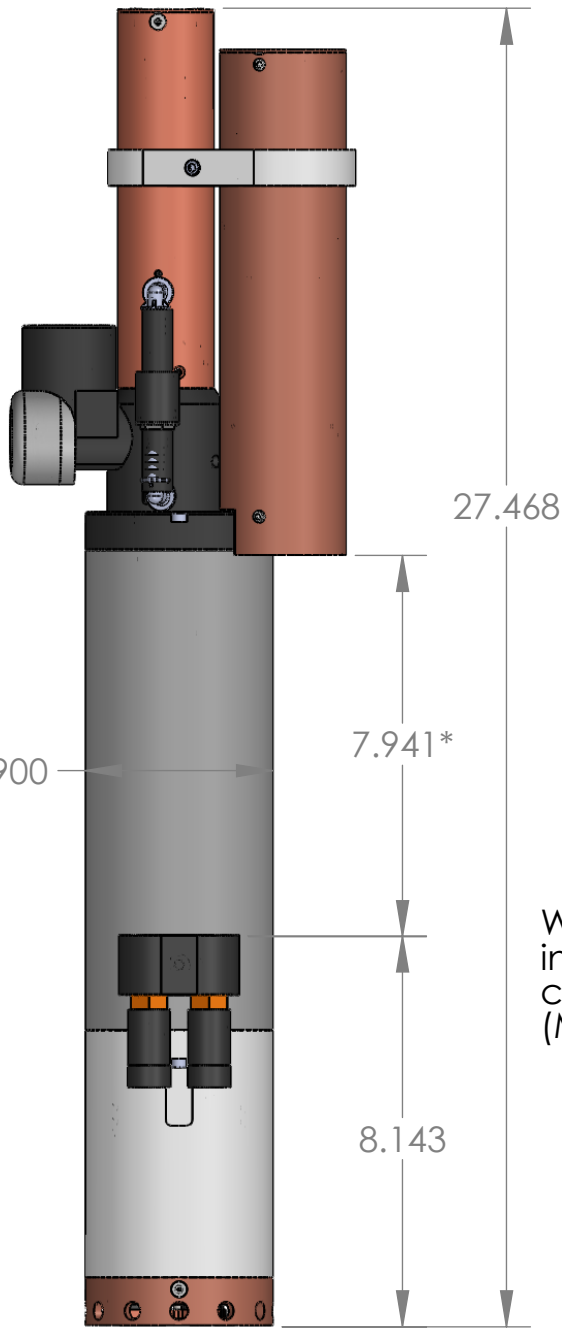


Ø 7.414

CT probes with integrated O2 sensor

BLIS anti-fouling system for CT & o2



27.468

7.941\*

Ø 3.900

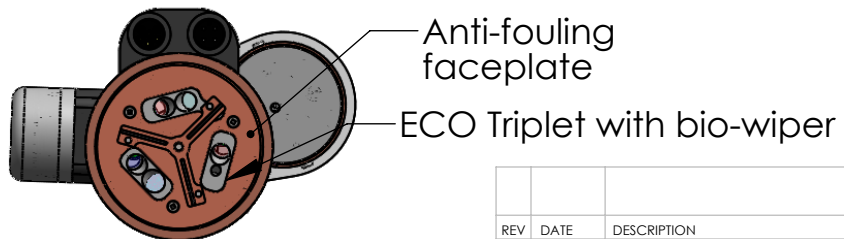
8.143

\*Mount by clamp in this region

WL standard interface connection (MCBH-6-M)

Aux. Connectoin (MCBH-4-F)

Anti-fouling guard ring



Anti-fouling faceplate

ECO Triplet with bio-wiper

**WET Labs**

620 Applegate St.  
Philomath, OR 97370  
541-929-5650  
www.wetlabs.com

WQMx: Features and Dimensions

SIZE DWG. NO. 58102 - General Dimensions

REV	DATE	DESCRIPTION	BY	SCALE 1:4	DIMENSIONS ARE INCHES UNLESS NOTED	SHEET 1 OF 1
REVISIONS				DRAWN BY: J. KOEGLER		ORIGIN DATE: 04/06/2012