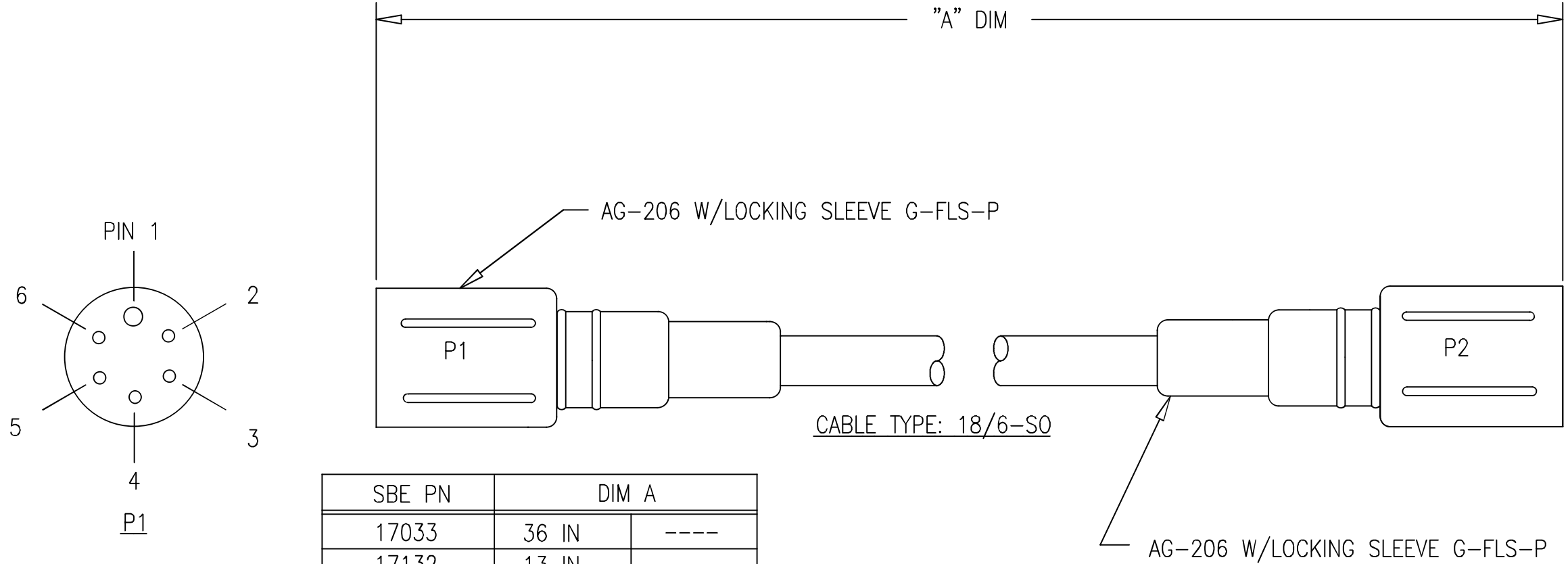


DATE	SYM	REVISION RECORD	AUTH.	DR.	CK.



SBE PN	DIM A	
17033	36 IN	----
17132	13 IN	----
17162	30 FT	----
17168	44 IN	----
17197	98 IN	----
17198	79 IN	2 m
17260	120 IN	3 m
17368	30 IN	----
17597	20 IN	----
17607	50 IN	----
17950	60 IN	1.5 m
17954	17 FT	5.5 m
171097	27 FT	8 m
171098	40 FT	12 m
171745	33 FT	10 m
172181	158 IN	4 m
172238	197 IN	5 m
172493	40 IN	1 m
173194	31 IN	----

P1	P2
PIN 1	PIN 1
PIN 2	PIN 2
PIN 3	PIN 3
PIN 4	PIN 4
PIN 5	PIN 5
PIN 6	PIN 6

CABLE LENGTH TOLERANCES:
0 - 48" +1" / -0"
48" - 120" +2" / -0"
> 120" +12" / -0"
DIMENSIONS MEASURED FROM
FACE OF CONNECTOR

TOLERANCES	SEA-BIRD ELECTRONICS, INC			
FRACTIONAL	P/N SEE TABLE	SCALE 1:1	DRAWN BY JEB	
DECIMAL	TITLE CABLE, 6 PIN/ 6 PIN AG-206 + LS			
ANGULAR	DATE 4/19/96	DRAWING NUMBER	30568	REV