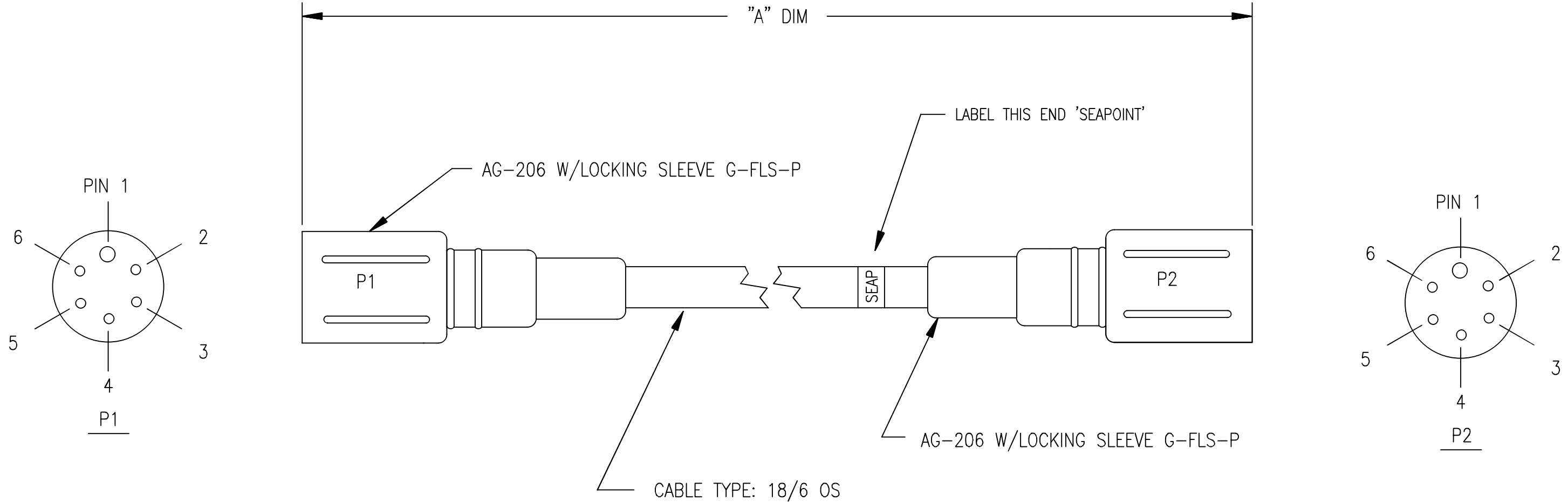


DATE	SYM	REVISION RECORD	AUTH.	DR.	CK.
7.1.97	A	ADDED GAIN TABLE		CEG	
5.11.05	B	ADDED CDOM TO TABLE	CB	KLP	



SBE PART NO	A DIM
171011	80 IN
171845	42 IN
173267	60 IN

P1	P2
PIN 1	PIN 1
PIN 2	PIN 2
PIN 3	PIN 3
PIN 4	--
PIN 5	--
PIN 6	PIN 4

SEAPOINT	GAIN	RANGE
TURBIDITY METER	100X	25 FTU
FLUOROMETER	30X	5 $\mu\text{g/l}$
CDOM (SU _{VF})	30X	50 $\mu\text{g/l}$

CABLE LENGTH TOLERANCES:
0 - 48" +1" / -0"
48" - 120" +2" / -0"
> 120" +12" / -0"
DIMENSIONS MEASURED FROM FACE OF CONNECTOR

TOLERANCES	SEA-BIRD ELECTRONICS, INC		
FRACTIONAL	P/N SEE TABLE	SCALE NTS	DRAWN BY CEG
DECIMAL	TITLE CABLE, SBE 19/25 TO SEAPOINT		
ANGULAR	DATE 7.1.97	DRAWING NUMBER	31924 REV B