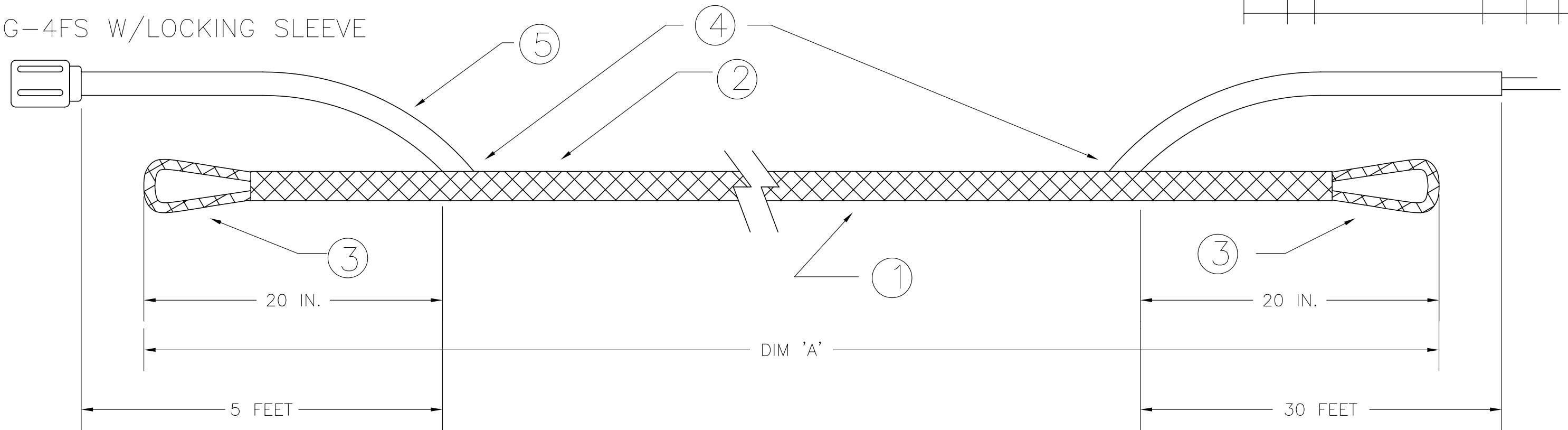


DATE	SYM	REVISION RECORD	AUTH.	DR.	CK.

RMG-4FS W/LOCKING SLEEVE



SBE PN	PIGTAIL PN	PIGTAIL DWG	KEVLAR PN	DIM A (KEVLAR LENGHT)		OVERALL LENGTH
80826	17232	30585	P17232	65 FT	20 m	100 FT
80827	17340	30585	P17340	85 FT	25 m	120 FT
80828	17350	30585	P17350	97 FT	30 m	132 FT
80829	17351	30585	P17351	130 FT	40 m	165 FT
80830	17705	30585	P17705	150 FT	46 m	185 FT
80831	17187	30585	P17187	165 FT	50 m	200 FT
80832	17608	30585	P17608	200 FT	60 m	250 FT
80833	17783	30585	P17783	246 FT	75 m	281 FT
80834	17148	30585	P17148	295 FT	90 m	330 FT
80835	17640	30585	P17640	328 FT	100 m	363 FT
80836	17247	30585	P17247	361 FT	110 m	396 FT
80627	17614	30585	P17614	427 FT	130 m	462 FT
80837	17369	30585	P17369	457 FT	140 m	492 FT
80838	17244	30585	P17244	625 FT	190 m	660 FT
80641	17637	30585	P17637	891 FT	270 m	923 FT
80839	17216	30585	P17216	1465 FT	445 m	1500 FT
80840	17885	30585	P17885	75 FT	23 m	110 FT
80841	17886	30585	P17886	155 FT	47 m	190 FT
80842	17887	30585	P17887	35 FT	10 m	70 FT
801359	17890	31740	P17890	400 FT	212 m	433 FT
801360	171140	30585	P171140	656 FT	200 m	689 FT
801361	171244	30585	P171244	820 FT	250 m	853 FT
801362	17221	30585	P17221	35 FT	10 m	66 FT
801515	17446	30585	P17446	1285 FT	390 m	1320 FT

NOTES:

ADD KEVLAR, NYLON JACKET AND MECHANICAL TERMINATIONS TO SEA-BIRD FURNISHED CABLE AS FOLLOWS:

- ① BRAID 2,000 LB MBS KEVLAR TO CABLE CORE
- ② ADD BLACK NYLON JACKET OVER KEVLAR
- ③ EYE SPLICE BOTH ENDS OVER STAINLESS STEEL THIMBLES
- ④ ELECTRICAL PIGTAILS TAKEN OUT BELOW SPLICES
- ⑤ CABLE SPECIFICATIONS PER DRAWING #30585

TOLERANCES	SEA-BIRD ELECTRONICS, INC		
FRACTIONAL	P/N VARIES	SCALE NTS	DRAWN BY JEB
DECIMAL	TITLE CABLE, KEVLAR/NYLON JACKET		
ANGULAR	DATE 1.5.95	DRAWING NUMBER 20915	REV