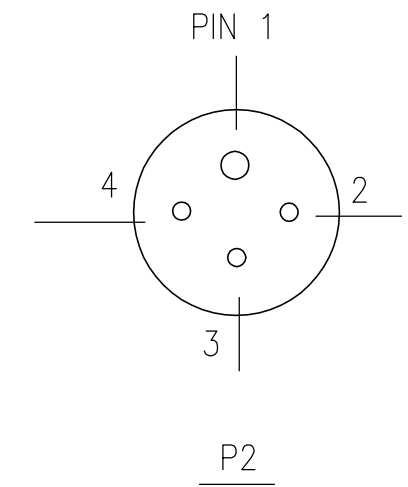
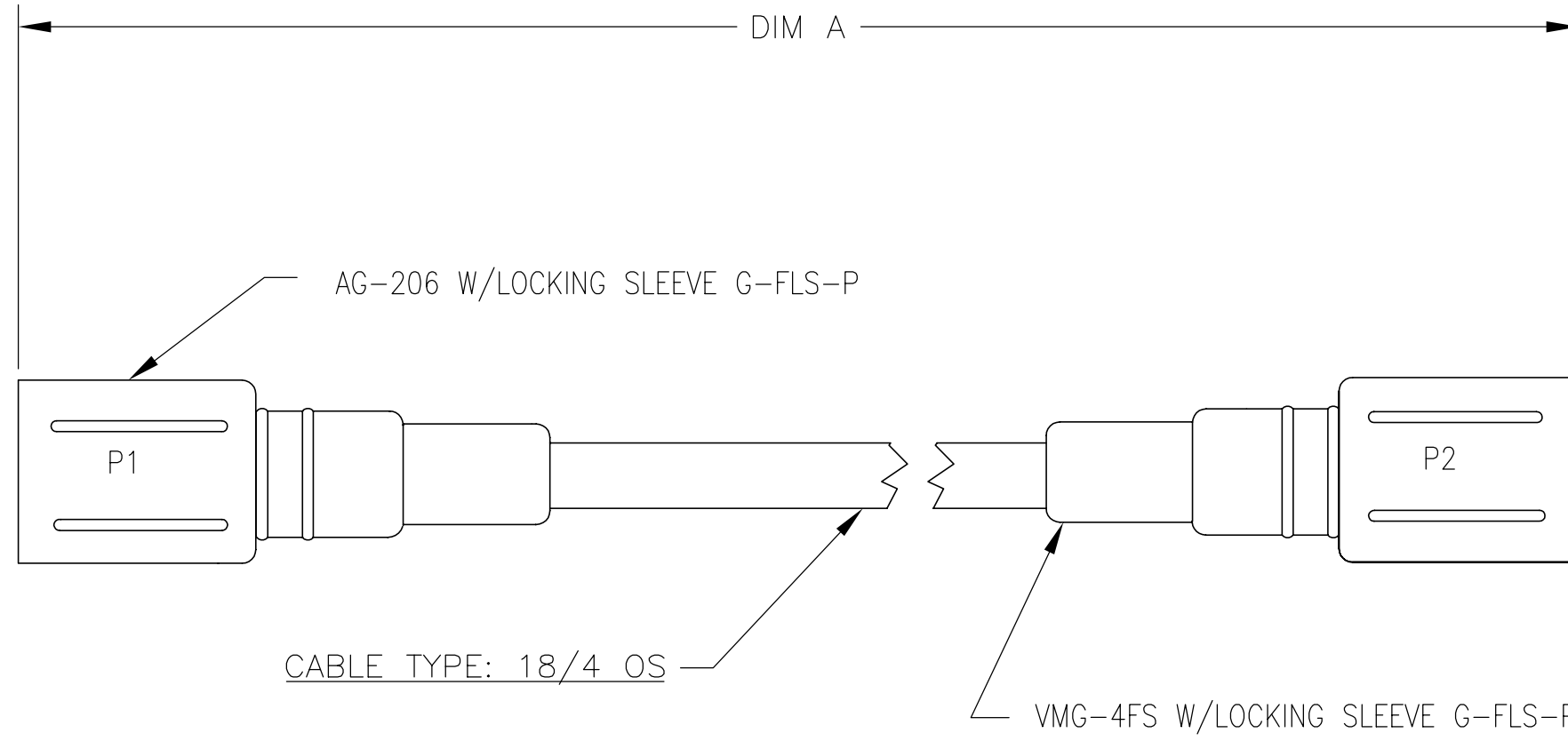
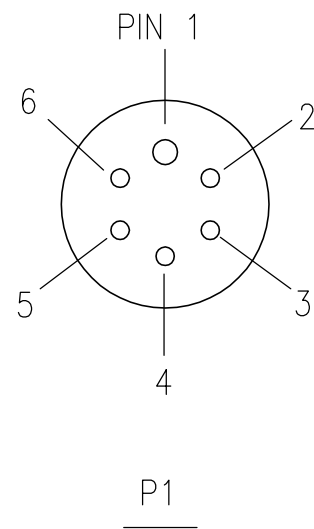


DATE	SYM	REVISION RECORD	AUTH.	DR.	CK.



SBE PN	DIM A
17135	72 IN
17201	40 IN
17222	48 IN
17268	30 IN
17384	6 FT

P1 AG-206	P2 VMG-4FS
PIN 1	PIN 1
PIN 2	-
PIN 3	PIN 2
PIN 4	PIN 3
PIN 5	-
PIN 6	PIN 4

REDRAWN ON ACAD NO CHG 12/28/92

TOLERANCES	SEA-BIRD ELECTRONICS, INC		
FRACTIONAL	P/N SEE TABLE	SCALE 1:1	DRAWN BY BMC APPR KDL 27MAR89
DECIMAL	TITLE CABLE, 6 PIN/4 PIN AG-206 - VMG-4FS + L.S. EA END		
ANGULAR	DATE 3/27/89	DRAWING NUMBER 30627	REV