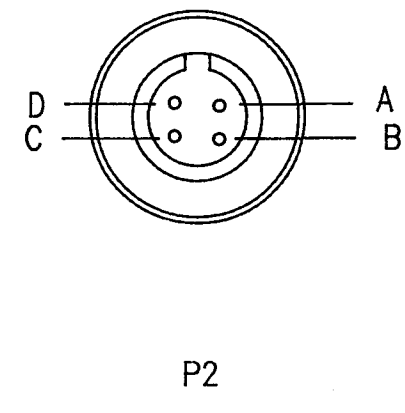
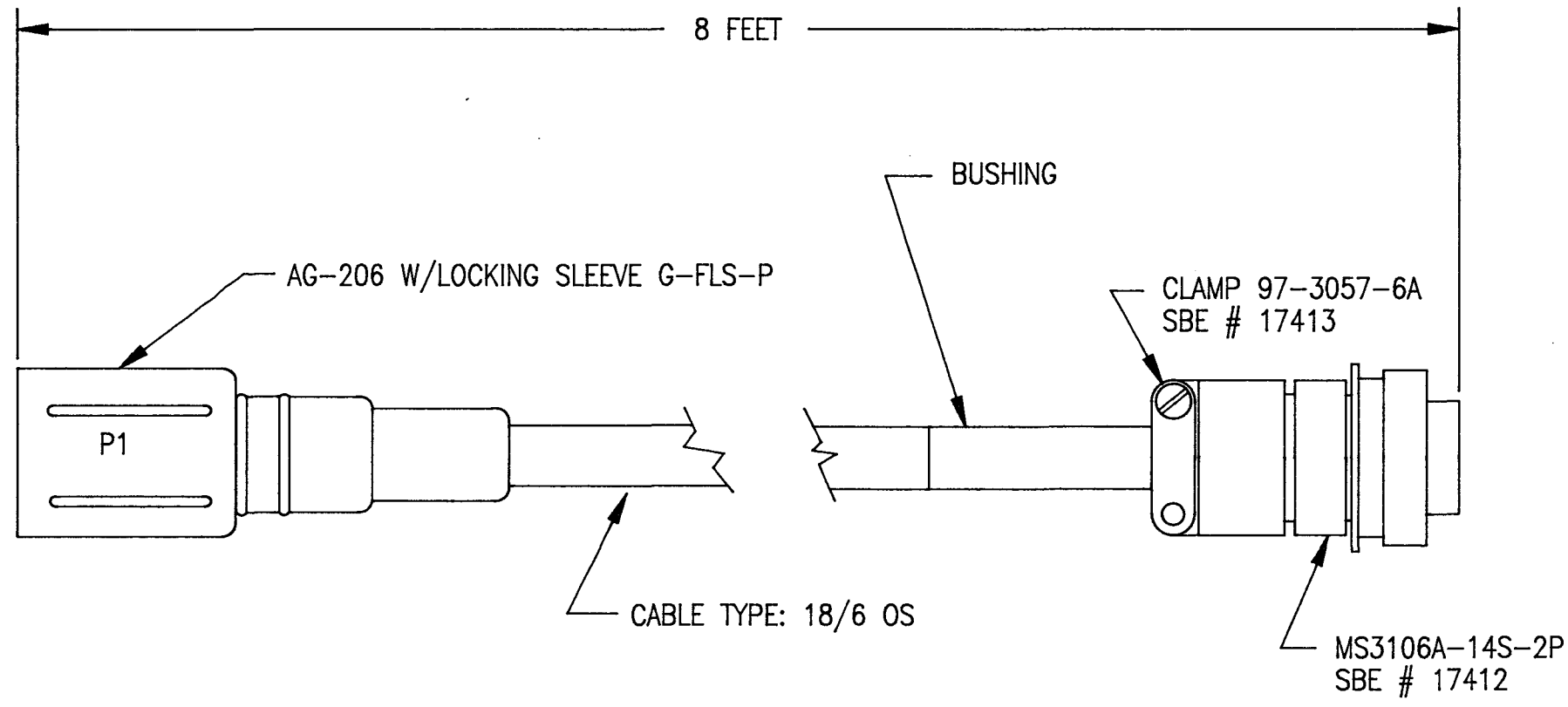
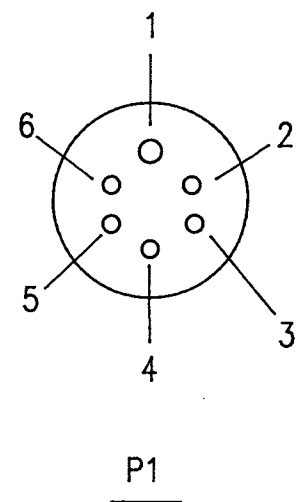


DATE	SYM	REVISION RECORD	AUTH.	DR.	CK.



WIRING CONNECTIONS	
P1	P2
PIN 1	A
PIN 2	B
PIN 3	C
PIN 4	D
PIN 5	N/C
PIN 6	N/C

JOB 6403

TOLERANCES	SEA-BIRD ELECTRONICS, INC			
FRACTIONAL	P/N 80634	SCALE 1:1	DRAWN BY BMC	APPROVED BY <i>KB</i>
DECIMAL	TITLE UNIOPTO BOX DATA CABLE ASSY 6 PIN TO 4 PIN			
ANGULAR	DATE 8/92	DRAWING NUMBER	31435	REV