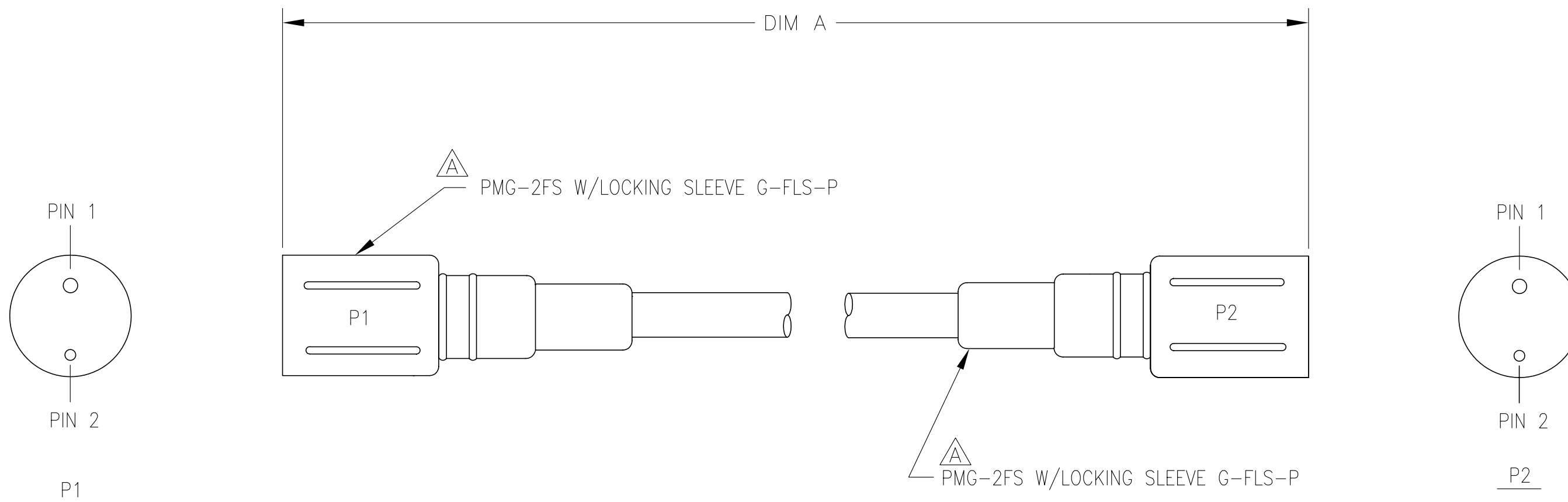


DATE	SYM	REVISION RECORD	AUTH.	DR.	CK.
6.25.02	A	FIXED TYPO, RMG TO PMG ADDED CABLE DESC.		KLP	



A CABLE TYPE: FALMAT FM 121698SA2  
 SBE PN 171261 POLYURETHANE, 2 CONDUCTOR, 18AWG.  
 NOMINAL O.D. = 0.320"

SBE PN	DIM A
171255	2 m
171256	5 m
171257	10 m
171258	25 m
171259	8 m
171343	15 m

P1 PMG-2FS	P2 PMG-2FS
PIN 1	PIN 1
PIN 2	PIN 2

TOLERANCES	SEA-BIRD ELECTRONICS, INC			
FRACTIONAL	P/N SEE TABLE	SCALE 1:1	DRAWN BY CEG	APPROVED BY RB
DECIMAL	TITLE CABLE, 2 PIN TO 2 PIN PMG-2FS POLYURETHANE JACKET			
ANGULAR	DATE 12.15.98	DRAWING NUMBER 32255	REV A	

A