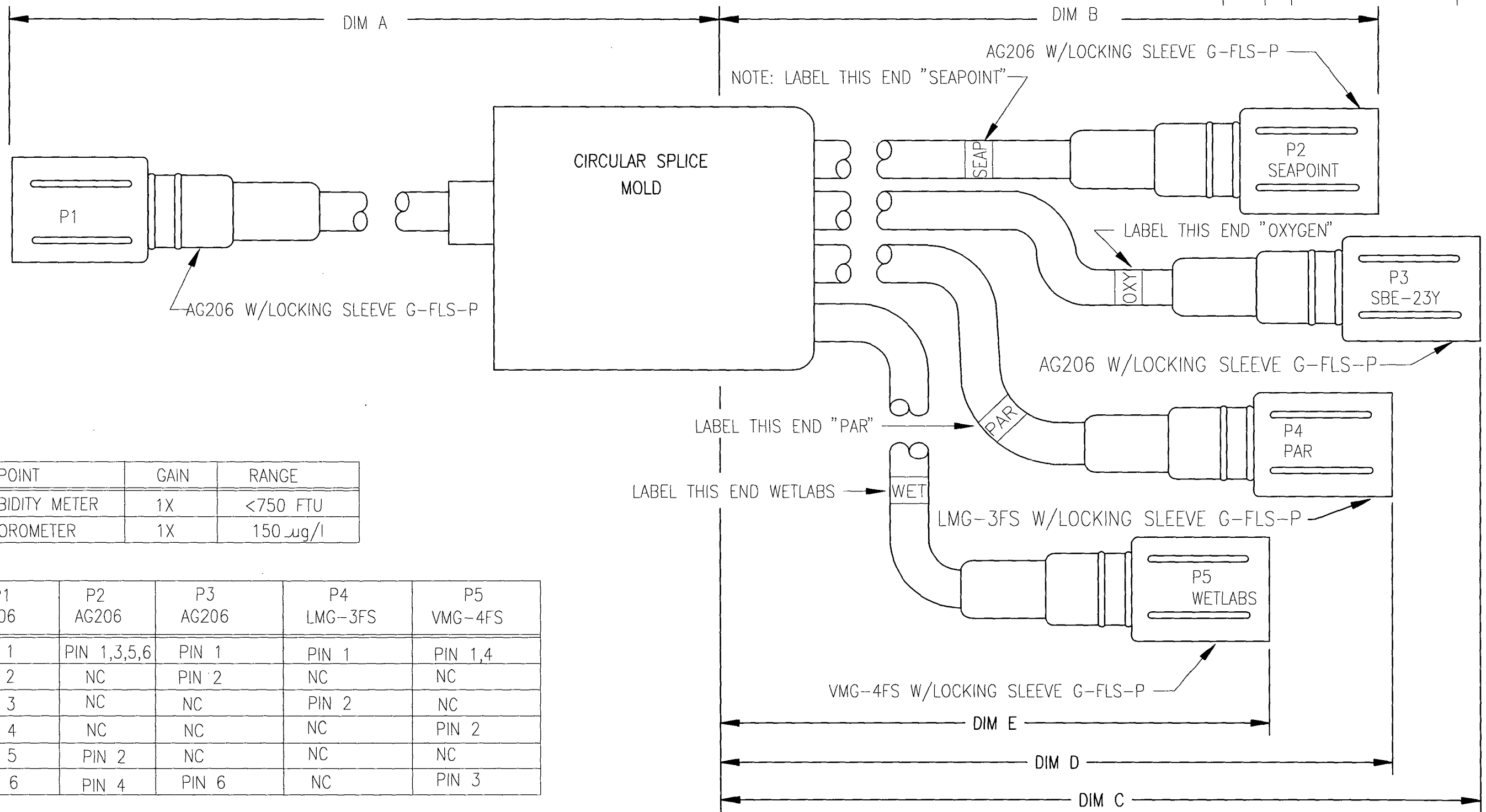


DATE	SYM	REVISION RECORD	AUTH.	DR.
01.01	A	Removed 'Pin3' from P4	MJ	CB



SEAPOINT	GAIN	RANGE
TURBIDITY METER	1X	<750 FTU
FLUOROMETER	1X	150 μ g/l

P1 AG206	P2 AG206	P3 AG206	P4 LMG-3FS	P5 VMG-4FS
PIN 1	PIN 1,3,5,6	PIN 1	PIN 1	PIN 1,4
PIN 2	NC	PIN 2	NC	NC
PIN 3	NC	NC	PIN 2	NC
PIN 4	NC	NC	NC	PIN 2
PIN 5	PIN 2	NC	NC	NC
PIN 6	PIN 4	PIN 6	NC	PIN 3

SBE PART NO.	DIM A	DIM B	DIM C	DIM D	DIM E
171413	22 INCHES	25 INCHES	28 INCHES	25 INCHES	25 INCHES

TOLERANCES	SEA-BIRD ELECTRONICS, INC			
FRACTIONAL	P/N SEE TABLE	SCALE NTS	DRAWN APPR	MJ
DECIMAL	TITLE Y-CABLE: DO/WETLABS/SEAPOINT/ QSP200PD (NO OXY TEMP)			
ANGULAR	DATE 06.01.00	DWG NO	32411	REV A