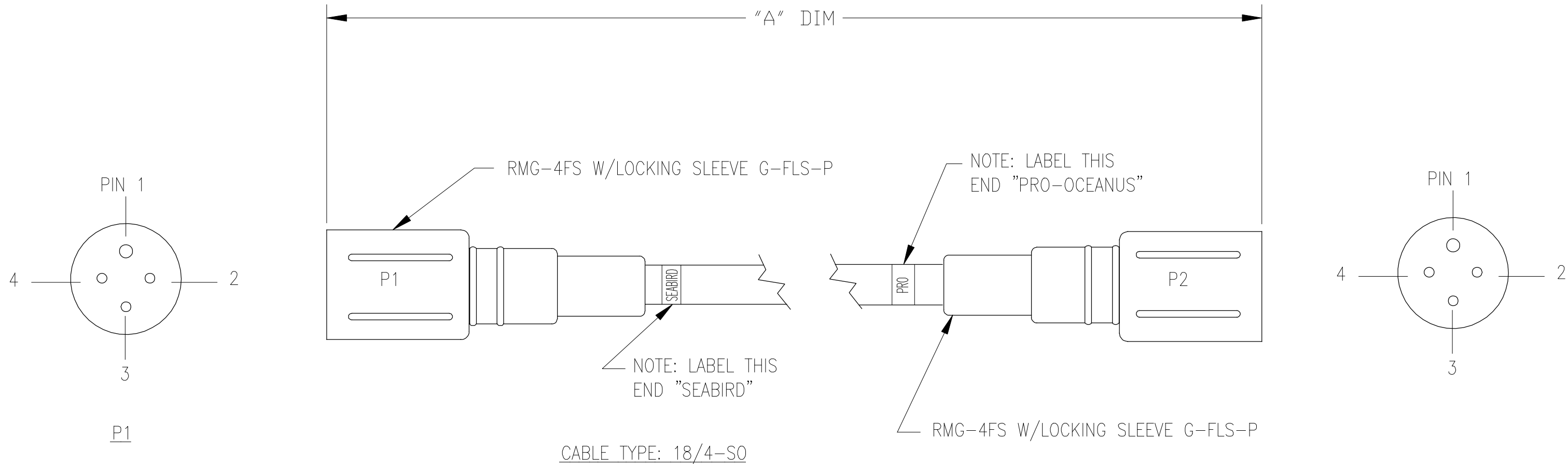


DATE	SYM	REVISION RECORD	AUTH.	DR.	CK.
6/22/01	A	SWITCHED PINS 4,2		MJ	
10/01/07	B	New cable length	CB	PC	CB



SBE PART NO	A DIM
171541	42 IN
172371	24 IN
172773	48 IN

P1	P2
PIN 1	PIN 1
PIN 2	PIN 4
PIN 3	PIN 2
PIN 4	PIN 3

SEA-BIRD ELECTRONICS, INC			
P/N	SCALE	DRAWN BY	LRG
SEE TABLE	NTS	APPROVED BY	
RMG-4FS TO RMG-4FS PRO-OCEANUS GTD			
DATE	DWG NO.	SHEET	REV
5/14/01	32541	1 of 1	B