



SEA -B I R D ELECTRONICS, INC.

1808 136th Place N.E., Bellevue, Washington 98005 USA

Telephone: (425) 643-9866 Telex: 292915 SBEI UR

Fax: (425) 643-9954

email: seabird@seabird.com

DATE	SYM	REVISION RECORD	AUTH	DR	CHK

SBE P/N 50275

SBE 19plus Spare Magnetic Switch Assembly

KIT CONTENTS

SBE P/N	Manufacturer P/N	Primary SBE Application	QTY
231788.1	SBE 19plus Magnet Holder, w/ magnet	Triggers internal Switch mechanism	1
23085	Profiler Magnetic Actuator	Holds Magnet holder to guard	1
30163	Mach Screw, 8-32 x 1 PH SS	Secures magnet holder and actuator	2
30488	Stock Compression Spring	Provides mobility to the assembly once installed	2

ASSEMBLY OF MAGNETIC SWITCH, (PN 50275)

1. Stand Cell Guard upright on a table, according to drawing 67101.
Tabs should be closest to you, and the slot should be to the left.
2. Place 23085 such that 'On' arrow points away from you, and the text faces the ceiling.
3. Place 2131788.1 such that magnet faces table, and corresponds to the 'ON'. (Beveled edge to the center of cell guard.)
4. Put 1 spring over each screw, and insert into countersunk side of ON/OFF switch (23085).
5. Feed through the slot in the cell guard, and thread the screws through 23085 into 231788.1 until screw heads are close to flush with 23085.
6. Install Cell Guard on SBE 19 such that holes closest to the short end fit onto the endcap holes.
Guard should be completely covering the cell.

SBE DRAWING: 67101

TITLE: SBE19plus Spare Magnetic Switch Installation

REV:

Sea-Bird Electronics Procedure

PROCEDURE NUMBER: **67101.1**

TITLE: **SBE 19plus Profiler Magnetic Switch Assembly**

REVISION:

EFFECTIVE DATE: **12/13/2000**

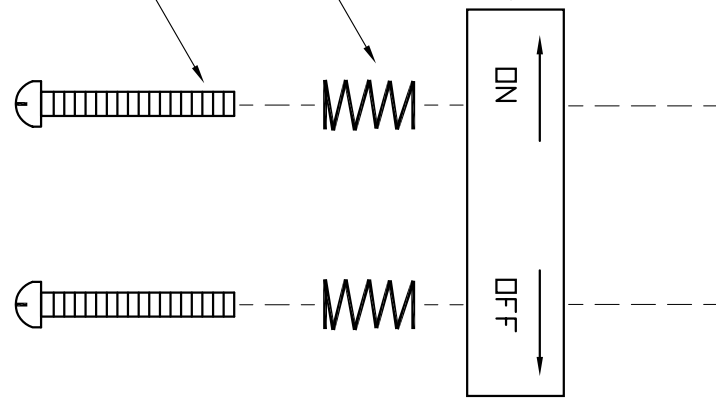
CHECKED BY: _____ PAGE 1 of 1

DATE	SYM	REVISION RECORD	AUTH.	DR.	CK.

PN 23085, Seacat Magnetic Switch Lever

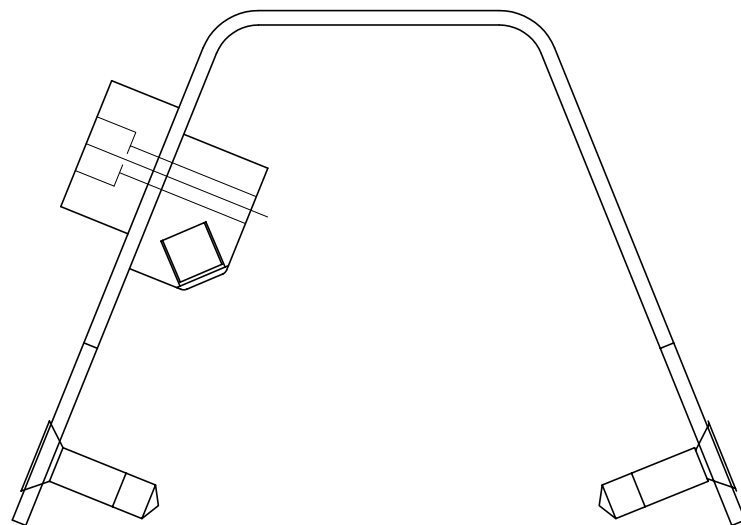
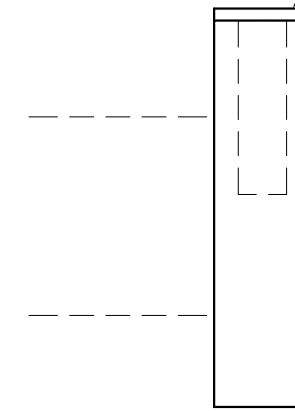
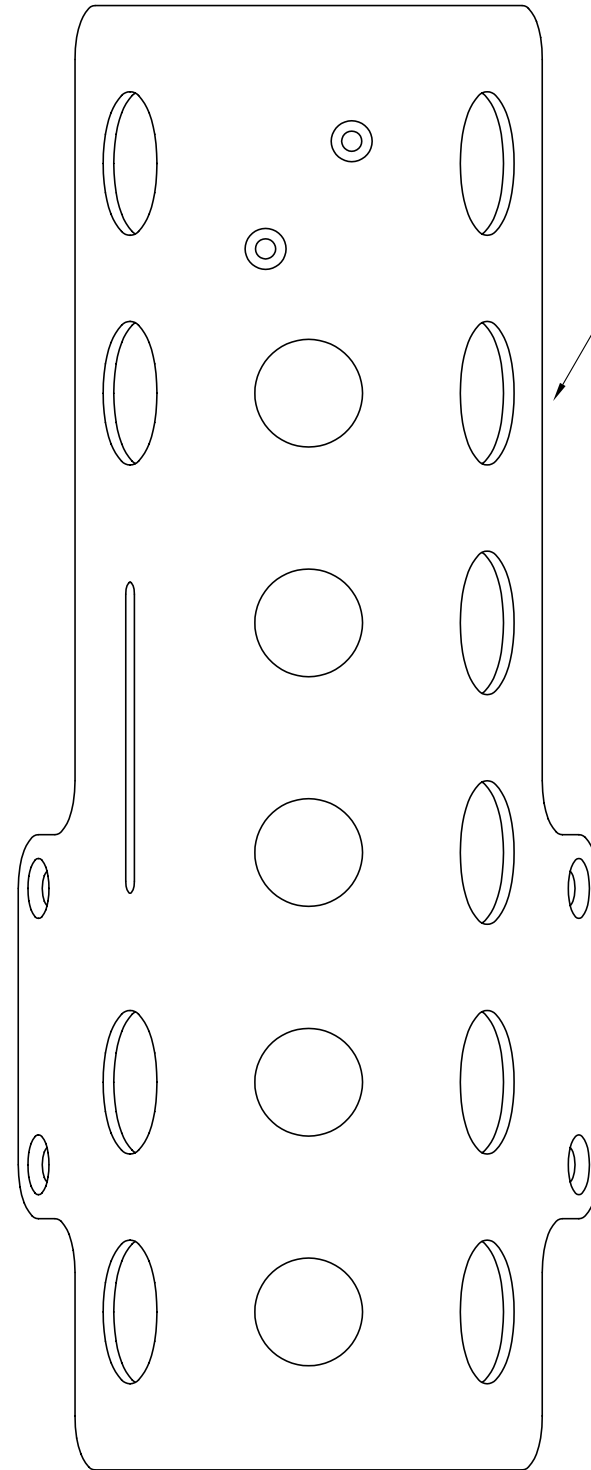
PN 30488, Compression Spring,
Stock (2 Places)

PN 30163, Mach Screw,
8-32 x 1 PH SS (2 Places)



PN 231797, SEACAT+ Sensor Guard

PN 231788.1, SC+/Profiler Magnet holder, W/ magnet



TOLERANCES	SEA-BIRD ELECTRONICS, INC				
FRACTIONAL	P/N 50275	SCALE 1:1	DRAWN BY MJ APPROVED BY DW		
DECIMAL ± .01	TITLE SEACATplus PROFILER SPARE MAGNETIC SWITCH				
ANGULAR ± 2°	DATE 12.12.00	DRAWING NUMBER	67101	REV	